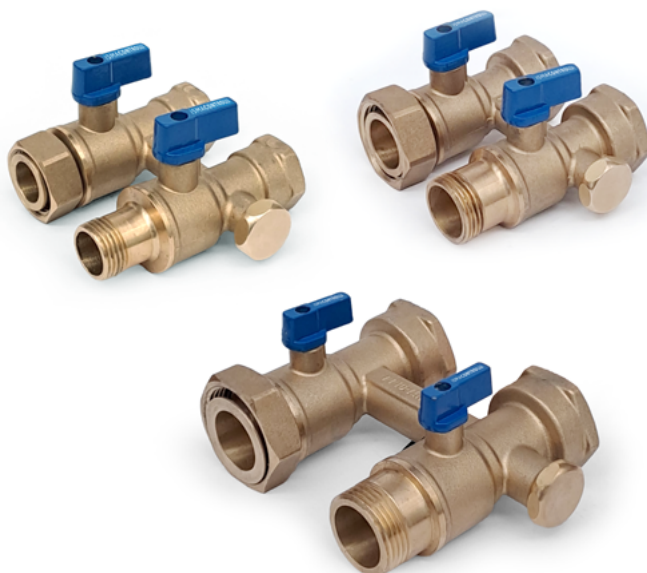


Bypass H-valve

CODE	DESCRIPTION
HV50-15	Bypass DN15 with 1/2" F threaded connection
HV50-20	Bypass DN20 with 3/4" F threaded connection
HV80-25	Bypass DN25 with 1" F threaded connection



APPLICATION AND USE

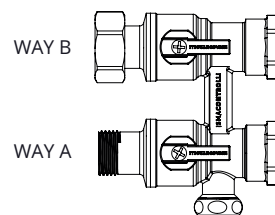
iSMA CONTROLLI bypass H-valve is a flexible solution for mounting terminal and HVAC units (fan coils, heat exchangers, etc.) with female-female connections on the system side. Thanks to the possibility of directing the flow, this valve eliminates the need to drain the system, allowing easier maintenance, cleaning and replacement of the device connected to the valve.

TECHNICAL CHARACTERISTICS

CHARACTERISTIC	DESCRIPTION
Material	CW617N
Pressure class	PN16
Fluid temperature range	0°C to 95°C
Fluid type	H ₂ O and H ₂ O with glycol max 50%

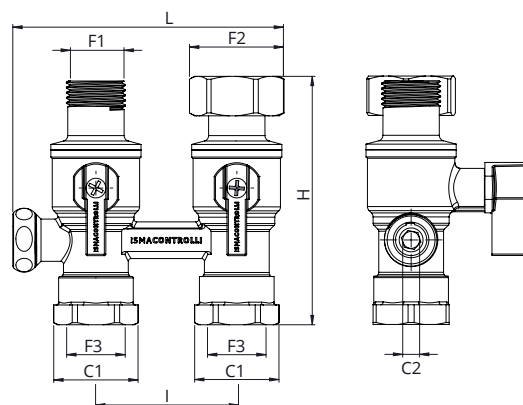
Flow rate

DN	kv A	kv B	kv TOT
15	7.4	9.5	5.8
20	7.4	9.5	5.8
25	13.1	17.2	10.4



DIMENSIONS [mm]

Code	L	H	F1	F2	F3	C1	C2	I
HV50-15	96	86.5	G 1/2" M	G 3/4" F	G 1/2" F	Hex key 27	Hex key 6	50
HV50-20	99.5	86.5	G 3/4" M	G 1" F	G 3/4" F	Hex key 34		50
HV80-25	142.5	107.8	G 1" M	G 1 1/4" F	G 1" F	Hex key 43		80



The performances stated in this sheet can be modified without any prior notice.